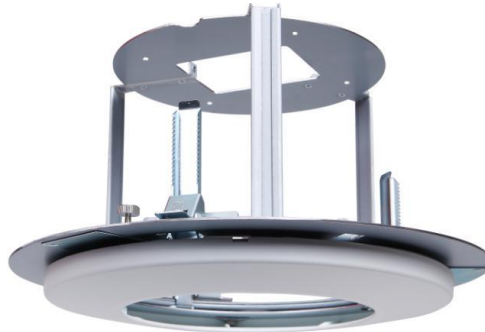


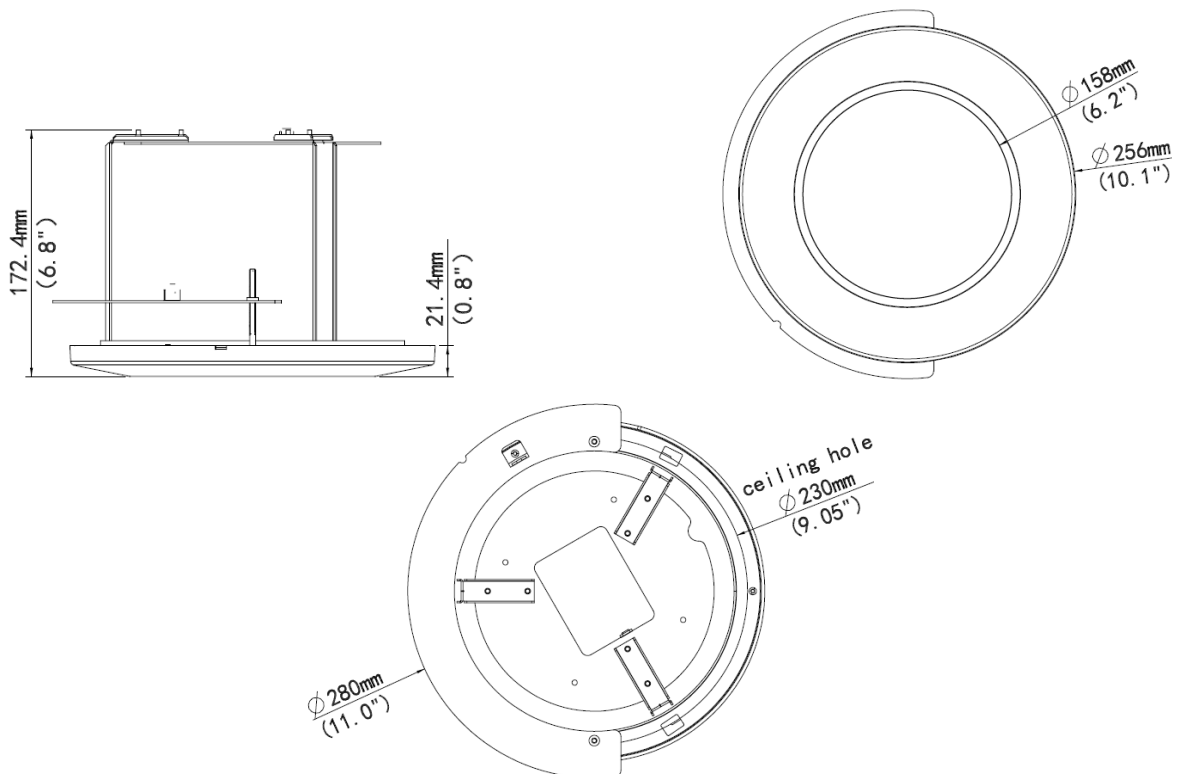
# AE-TR-FM200 Montant îngropat în tavan pentru camere PTZ



## Specificații

Model	AE-TR-FM200
Amplasare	Interior
Dimensiuni	Montantul: $\Phi$ 280 mm $\times$ 172.4 mm ( $\Phi$ 11" $\times$ 6.8") Gaura în tavan: $\Phi$ 230 mm ( $\Phi$ 9.05")
Greutate	2 kg (4.4 lbs)
Material	Foi metalice, plastic

## Dimensiuni



**Zhejiang Uniview Technologies Co., Ltd.**

South Tower, Building 10, Wanlun Science Park, 88 Jiangling Road, Hangzhou, P.R.China 310051

Email: [overseasbusiness@uniview.com](mailto:overseasbusiness@uniview.com); [globalsupport@uniview.com](mailto:globalsupport@uniview.com)

<http://www.uniview.com>

©2014 Zhejiang Uniview Technologies Co., Ltd. All rights reserved.

\*Product specifications and availability are subject to change without notice.