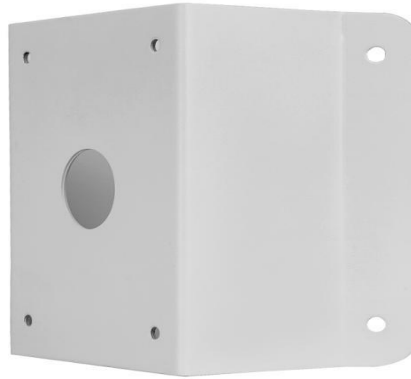


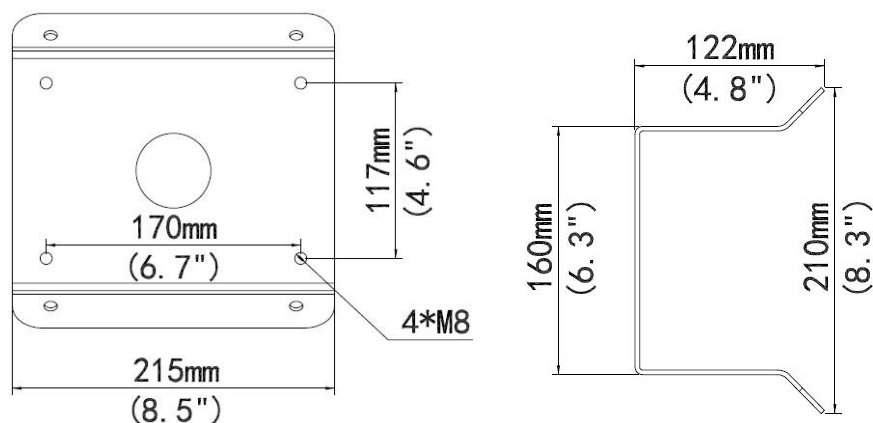
AE-TR-UC08-A Montant de colț exterior pentru camere PTZ



Specificații

Model	AE-TR-UC08-A
Amplasare	Interior, exterior
Dimensiuni	215 mm × 210 mm × 122 mm (8.5" × 8.3" × 4.8")
Greutate	1.87 kg (4.1 lbs)
Material	Aluminiu
Detalii	Montant de colț exterior cu 5 șuruburi M8 stea

Dimensiuni



Zhejiang Uniview Technologies Co., Ltd.

South Tower, Building 10, Wanlun Science Park, 88 Jiangling Road, Hangzhou, P.R.China 310051

Email: overseasbusiness@uniview.com; globalsupport@uniview.com

<http://www.uniview.com>

©2014 Zhejiang Uniview Technologies Co., Ltd. All rights reserved.

*Product specifications and availability are subject to change without notice.