

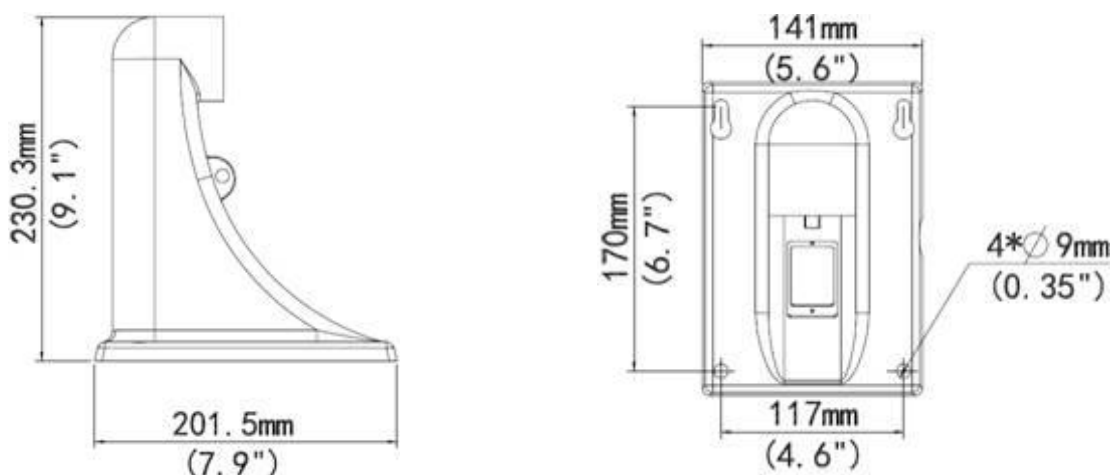
# AE-TR-WE45 Montant de perete pentru camere PTZ



## Specificații

Model	AE-TR-WE45
Amplasare	Interior, exterior
Dimensiuni	230 mm × 141 mm × 201.5 mm (9.1" × 5.6" × 7.9")
Greutate	0.79 kg (1.74 lbs)
Material	Aluminiu
Detalii	Montant de perete cu 5 șuruburi M8 stea și 2 șuruburi M4

## Dimensiuni



Zhejiang Uniview Technologies Co., Ltd.

South Tower, Building 10, Wanlun Science Park, 88 Jiangling Road, Hangzhou, P.R.China 310051

Email: [overseasbusiness@uniview.com](mailto:overseasbusiness@uniview.com); [globalsupport@uniview.com](mailto:globalsupport@uniview.com)

<http://www.uniview.com>

©2014 Zhejiang Uniview Technologies Co., Ltd. All rights reserved.

\*Product specifications and availability are subject to change without notice.