

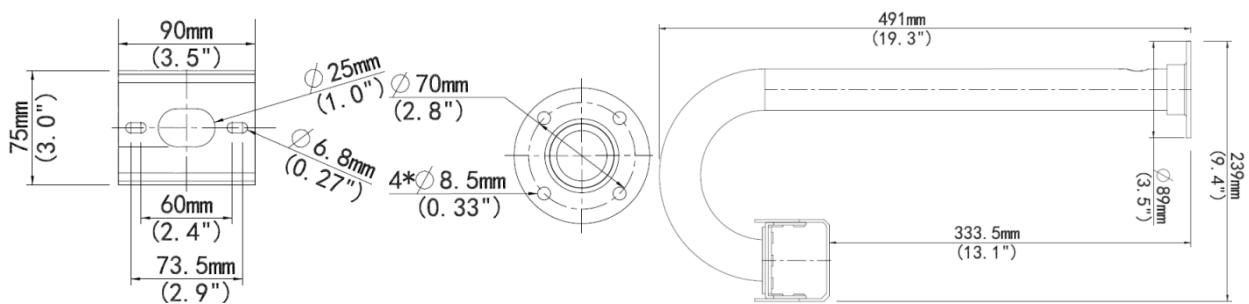
TR-CM06-IN Indoor Pendant Mount



Specifications

Bracket	TR-CM06-IN
Application	Indoor or outdoor, housing Pendant installation
Dimensions	491mmx239mm (19.3" x9.4")
Weight	0.61kg(1.3lb)
Bearable Load	10kg(22lb)
Adjustable Range	Horizontal: 0° ~180° ; Vertical: -45° ~45°
Material	Aluminum alloy

Dimensions



Zhejiang Uniview Technologies Co.,Ltd.

South Tower, Building 10, Wanlun Science Park, 88 Jiangling Road, Hangzhou, P.R.China 310051

Email: overseasbusiness@uniview.com; globalsupport@uniview.com

<http://www.uniview.com>

©2013 Zhejiang Uniview Technologies Co.,Ltd. All rights reserved.

*Product specifications and availability are subject to change without notice.