

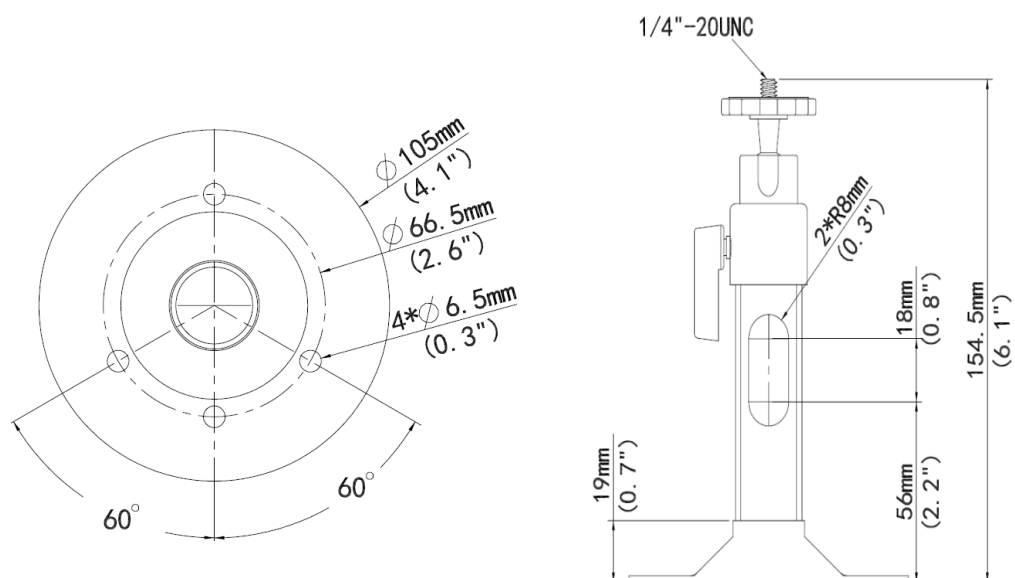
TR-UM06-A-IN Bullet Camera Mount



Specifications

Bracket	TR-UM06-A-IN
Application	Pendant or wall installation for bullet camera
Dimensions	Φ105mmx154.5mm(Φ4.1" x6.1")
Weight	0.2kg(0.44lb)
Bearable Load	5kg(11lb)
Material	Aluminum alloy
Adjustable Range	Horizontal:0° ~360° ; Vertical: 0° ~90°

Dimensions



Zhejiang Uniview Technologies Co.,Ltd.

South Tower, Building 10, Wanlun Science Park, 88 Jiangling Road, Hangzhou, P.R.China 310051

Email: overseasbusiness@uniview.com; globalsupport@uniview.com

<http://www.uniview.com>

©2013 Zhejiang Uniview Technologies Co.,Ltd. All rights reserved.

*Product specifications and availability are subject to change without notice.