

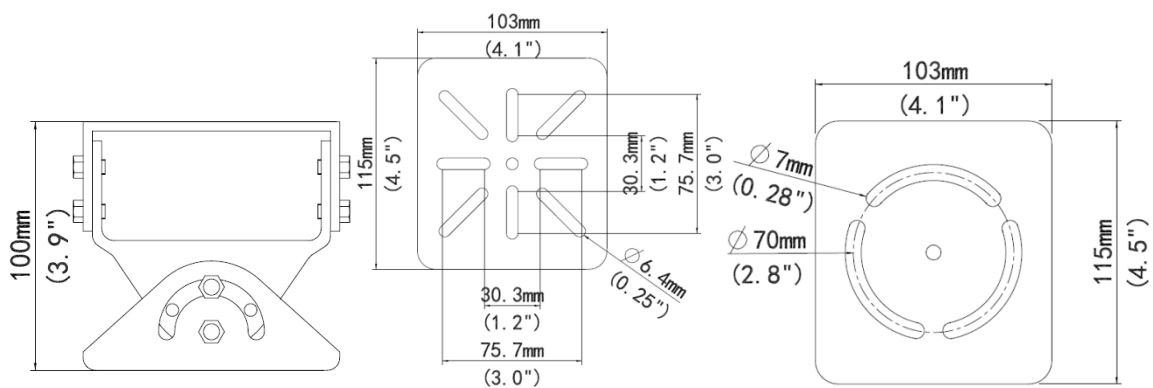
# TR-UV06-A-IN Housing Bracket



## Specifications

Bracket	TR-UV06-A-IN
Application	Outdoor, pole or rail installation for housing
Dimensions(L × W × H)	115mmx103mmx100mm (4.5"x4.1"x3.9")
Weight	0.8kg(1.76lb)
Bearable Load	20kg(44.1lb)
Material	Aluminum alloy
Adjustable Range	Horizontal: 360° ; Vertical: 90°

## Dimensions



### Zhejiang Uniview Technologies Co.,Ltd.

South Tower, Building 10, Wanlun Science Park, 88 Jiangling Road, Hangzhou, P.R.China 310051

Email: [overseasbusiness@uniview.com](mailto:overseasbusiness@uniview.com); [globalsupport@uniview.com](mailto:globalsupport@uniview.com)

<http://www.uniview.com>

©2013 Zhejiang Uniview Technologies Co.,Ltd. All rights reserved.

\*Product specifications and availability are subject to change without notice.