

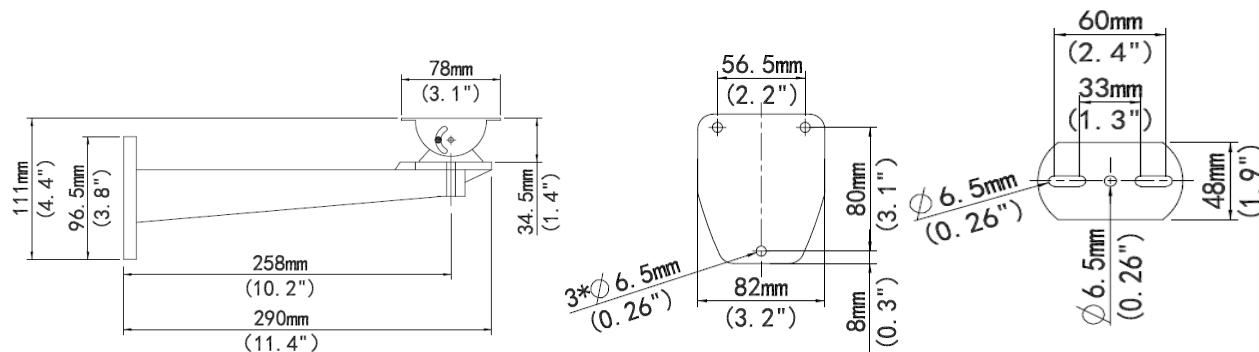
TR-WM06-B-IN Outdoor Wall Mount



Specifications

Bracket	TR-WM06-B-IN
Application	Outdoor, wall installation for box camera housing
Dimensions(L × W × H)	290mmx82mmx111mm (11.4"x3.2"x4.4")
Weight	0.6kg(1.3lb)
Bearable Load	15kg(33.1lb)
Material	Aluminum alloy
Adjustable Range	Horizontal: 360° ; Vertical: 90°

Dimensions



Zhejiang Uniview Technologies Co.,Ltd.

South Tower, Building 10, Wanlun Science Park, 88 Jiangling Road, Hangzhou, P.R.China 310051

Email: overseasbusiness@uniview.com; globalsupport@uniview.com

<http://www.uniview.com>

©2013 Zhejiang Uniview Technologies Co.,Ltd. All rights reserved.

*Product specifications and availability are subject to change without notice.