

IPC242E-DLIR-IN 2MP WDR Low-light VF Network IR Bullet Camera



Key Features

Optics

- Lowlight surveillance
- Smart IR, up to up to 30m (98 ft) IR distance
- Up to 120 dB WDR (Wide Dynamic Range)
- Optical glass window with higher light transmittance
- IR anti-reflection window to increase the infrared transmittance

Compression

- Dual streams
- ROI (Region of Interest)
- 9:16 corridor mode
- Customized OSD

Network

- NAA (Network Auto-Adaptability) to cope with up to 5% network packet loss
- UNP(Universal Network Passport) patented technology for NAT traversal
- Dual direct-to-iSCSI data block storage
- ONVIF Conformance

Structure

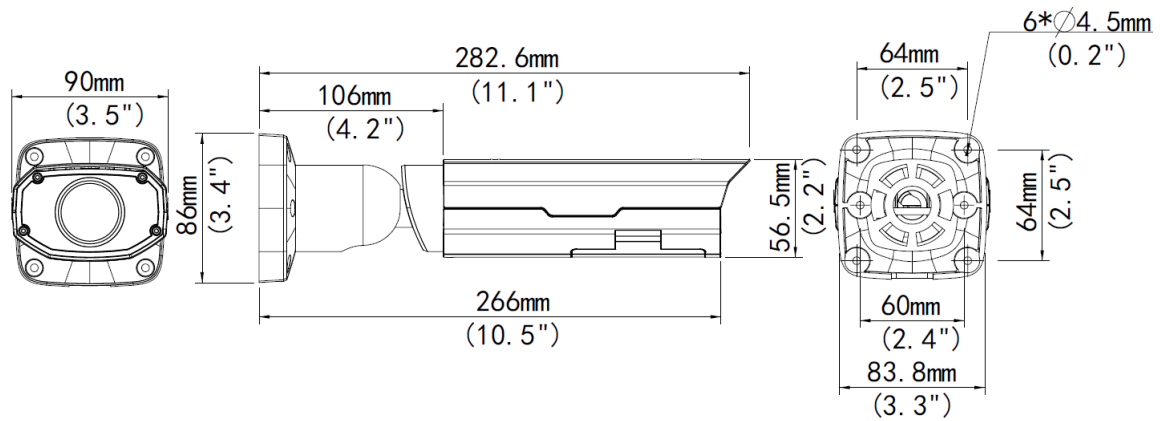
- AC 24V /DC 12 V/PoE with uninterruptible power supply
- Wide temperature range: -40°C to 60°C (-40°F to 140°F)
- Wide voltage range of $\pm 25\%$
- 6 KV surge protection designed for network interface
- IP66-rated

Specifications

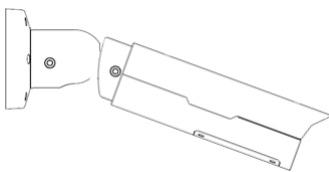
| | |
|-------------------------|---|
| Camera | IPC242E-DLIR-IN |
| Sensor | 1/2.8", 2Megapixel, progressive scan CMOS |
| Shutter | Auto/Manual, 1/6~1/8000 s |
| Lens | 3 ~ 10.5 mm, F1.4 |
| Zoom/Focus | Manual |
| Angle of View (H) | 102.4° (wide) ~ 27.4° (tele) |
| Min. Illumination | Color: 0.02 Lux (F1.4, 50IRE) Black & White: 0.008Lux (F1.4, 50IRE) |
| Day/Night | IR-cut filter with auto switch (ICR) |
| S/N | >52dB |
| Wide Dynamic Range | 120 dB |
| IR | Smart-IR ,up to 30m (98 ft) IR range |
| Video | |
| Max. Resolution | 1920 × 1080 |
| Video Compression | H.264,MJPEG |
| Frame Rate | 1080P (1920*1080) 30 fps; 720P (1280*720) 30 fps; D1 (720*576) 25 fps |
| 9:16 Corridor Mode | Support |
| ROI(Region of Interest) | Support |
| Video Streaming | Dual |
| OSD | Up to 8 OSDs |
| Privacy Mask | Up to 4 areas |
| Audio | |
| Audio Compression | G.711 |
| Two-way Talking | Support |
| Storage | |
| Edge Storage | Micro SD, up to 32 GB |
| Back-end Storage | Dual direct-to-iSCSI data block storage |
| Cache Post Recording | Support |
| Network | |
| Protocols | L2TP,IPv4,IGMP,ICMP,ARP,TCP,UDP,DHCP,PPPoE,RTP,RTSP,Qos,NTP,FTP,HTTP,SNMP,SIP |
| Compatible Integration | ONVIF, IMOS,API |
| Interface | |
| Audio I/O | 3.5 mm audio interface |
| | Input: impedance 35 kΩ; amplitude 2 V [p-p] |
| | Output: impedance 600 Ω; amplitude 2 V [p-p] |
| Alarm I/O | 2 / 1 |
| Serial Port | 1 RS485 |
| Network | 10M/100M Base-TX Ethernet |
| Video Output | 1 BNC, impedance 75 Ω; amplitude 1 V [p-p] |
| General | |
| Power Supply | 12 V DC, 24 V AC or PoE (IEEE802.3 af) |
| | Power consumption: 4.5 W (with IR on: extra 6.5 W) |

| | |
|------------------------|--|
| Dimensions (L x W x H) | 282.6 x 90 x 86 mm (11.1" x 3.5" x 3.4") |
| Weight | 1.2 kg (2.6 lb) |
| Working Environment | -40°C ~ +60°C (-40°F ~ 140°F), Humidity ≤ 90% RH(non-condensing) |
| Ingress Protection | IP66 |

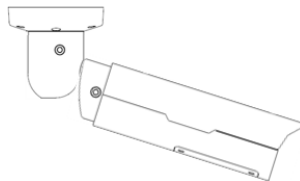
Dimensions



Installation



Wall mount



Ceiling mount

Accessories

| Installation mode | Accessories | Description |
|-------------------|-------------|--|
| Wall mount | / | Mounting pedestal is included in the Product package |
| Ceiling mount | / | Mounting pedestal is included in the Product package |
| Rail mount | TR-UP06-A | For outdoor rail installation |
| Pole mount | TR-UP06-A | For outdoor pole installation |

Zhejiang Uniview Technologies Co., Ltd.

South Tower, Building 10, Wanlun Science Park, 88 Jiangling Road, Hangzhou, P.R.China 310051

Email: overseasbusiness@uniview.com; globalsupport@uniview.com

<http://www.uniview.com>

©2014 Zhejiang Uniview Technologies Co., Ltd. All rights reserved.

*Product specifications and availability are subject to change without notice.