

# IPC322ER-F28 2MP Vandal-resistant Network IR Fixed Dome Camera



## Key Features

### Optics

- Day/night functionality
- Smart IR technology
- Lowlight surveillance
- 3D DNR (Digital Noise Reduction)

### Compression

- Dual streams
- ROI (Region of Interest)
- Customized OSD

### Network

- NAA (Network Auto-Adaptability) to cope with up to 5% network packet loss
- UNP(Universal Network Passport) patented technology for NAT traversal
- Dual direct-to-iSCSI data block storage
- ONVIF Conformance

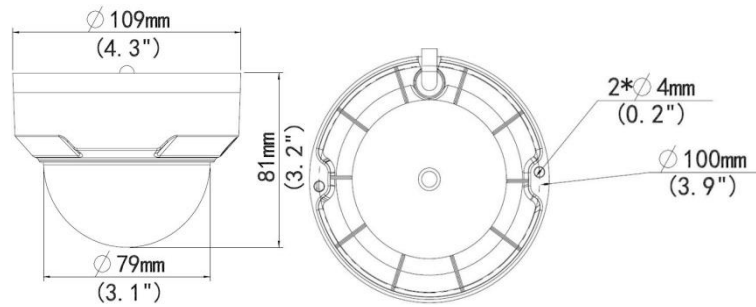
### Structure

- Support PoE power supply
- Wide temperature range: -30°C to 60°C (-22°F to 140°F)
- Wide voltage range of  $\pm 25\%$
- IK10 vandal resistant
- IP66-rated

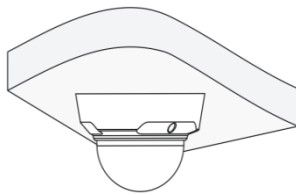
## Specifications

	IPC322ER-F28
<b>Camera</b>	
Sensor	1/2.8", 2Megapixel, progressive scan, CMOS
Lens	2.8mm@ F1.8; Angle of View (H): 108°
Shutter	Auto/Manual, 1/6~1/8000 s
Day/Night	IR-cut filter with auto switch (ICR)
Min. Illumination	Color: 0.06 Lux (F1.8, 50IRE) Black & White: 0.03 Lux (F1.8, 50IRE)
S/N	>52dB
Image Rotation	Support
<b>Video</b>	
Max. Resolution	1920×1080
Video Compression	H.264,MJPEG
Frame Rate	1080P (1920×1080): Max.30 fps; 720P (1280×720): Max. 30 fps; D1 (720×576): Max. 25 fps
ROI	Support
Video Streaming	Dual
OSD	Up to 8 OSDs
Privacy Mask	Up to 4 areas
<b>Audio</b>	
Audio Compression	G.711
Two-way Talking	Support
<b>Storage</b>	
Back-end Storage	Dual direct-to-iSCSI data block storage
<b>Network</b>	
Protocols	L2TP,IPv4,IGMP,ICMP,ARP,TCP,UDP,DHCP,PPPoE,RTP,RTSP,Qos,NTP,FTP,HTTP,SNMP,SIP
Compatible Integration	ONVIF, IMOS,API
<b>Interface</b>	
Audio I/O	Audio cable
	Input: impedance 35 kΩ; amplitude 2 V [p-p]
	Output: impedance 600 Ω; amplitude 2 V [p-p]
Alarm I/O	1 / 1
Network	10M/100M Base-TX Ethernet
<b>General</b>	
Power Supply	12 V DC, or PoE (IEEE802.3 af)
	Power consumption: 3.5 W (with IR on: extra 2 W)
Dimensions (Ø x H)	Ø109 x 81 mm (Ø4.3" x 3.2")
Weight	0.45 kg (1.0 lb)
Working Environment	-30°C ~ +60°C (-22°F ~ 140°F), Humidity ≤ 90% RH(non-condensing)
Vandal Resistant	IK10
Ingress Protection	IP66

## Dimensions



## Installation



Ceiling mount

## Accessories

Installation mode	Accessories	Description
Ceiling mount	Mounting pedestal is included in the Product package	

### Zhejiang Uniview Technologies Co., Ltd.

South Tower, Building 10, Wanlun Science Park, 88 Jiangling Road, Hangzhou, P.R.China 310051

Email: [overseasbusiness@uniview.com](mailto:overseasbusiness@uniview.com); [globalsupport@uniview.com](mailto:globalsupport@uniview.com)

<http://www.uniview.com>

©2013 Zhejiang Uniview Technologies Co., Ltd. All rights reserved.

\*Product specifications and availability are subject to change without notice.