

IPC342E-VIR(-Z)-IN 2MP Low-light (Motorized)VF Vandal-resistant Network IR Fixed Dome Camera



Key Features

Optics

- Day/night functionality
- 3D DNR (Digital Noise Reduction)
- Smart IR, up to 30 m (98 ft) IR distance
- Built-in motorized lens for remote zoom and autofocus(-Z model support)

Compression

- H.264 High Profile
- Triple streams
- ROI (Region of Interest)
- 9:16 corridor mode
- Customized OSD

Network

- NAA (Network Auto-Adaptability) to cope with up to 5% network packet loss
- UNP(Universal Network Passport) patented technology for NAT traversal
- Dual direct-to-iSCSI data block storage
- ONVIF Conformance

Structure

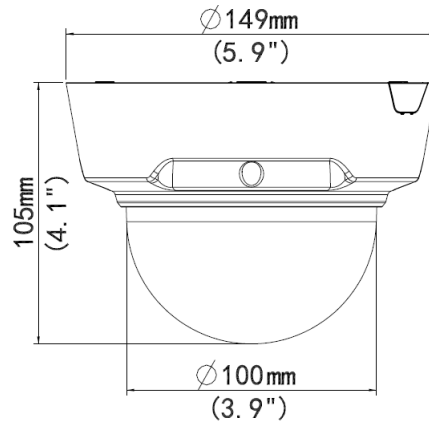
- Built-in PoE splitter that outputs DC 12V
- Wide voltage range of $\pm 25\%$
- IK10 vandal resistant
- IP66-rated

Specifications

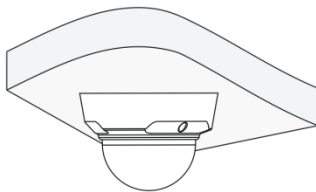
Camera	IPC342E-VIR-IN	IPC342E-VIR-Z-IN
Sensor	1/2.8", 2Megapixel, progressive scan, low illumination CMOS	
Shutter	Auto/Manual, 1/6~1/8000 s	
Lens	3 to 10.5 mm, F1.4	
Zoom/Focus	Manual	Motor drive
Angle of View (H)	102.4° (wide) to 27.4° (tele)	
Min. Illumination	Color: 0.03 Lux (F1.4, 50IRE) Black & White: 0.01Lux (F1.4, 50IRE)	
Day/Night	IR-cut filter with auto switch (ICR)	
S/N	>52dB	
IR	Smart-IR , up to 30m (98 ft) IR range	
Video		
Maximum Resolution	1920 × 1080	
Video Compression	H.264,MJPEG	
Frame Rate	1080P (1920*1080) 30 fps; 720P (1280*720) 30 fps; D1 (720*576) 25 fps	
9:16 Corridor Mode	Support	
ROI(Region of Interest)	Support	
Video Streaming	Triple	
OSD	Up to 8 OSDs	
Privacy Mask	Up to 8 areas	
Audio		
Audio Compression	G.711	
Two-way Talking	Support	
Storage		
Edge Storage	Micro SD, Up to 32 GB	
Back-end Storage	Dual direct-to-iSCSI data block storage	
Cache Post Recording	Support	
Network		
Protocols	L2TP,IPv4,IGMP,ICMP,ARP,TCP,UDP,DHCP,PPPoE,RTP,RTSP,Qos,NTP,FTP,HTTP,SNMP,SIP	
Compatible Integration	ONVIF, IMOS,API	
Interface		
Audio I/O	3.5 mm audio interface	
	Input: impedance 35 kΩ; amplitude 2 V [p-p]	
	Output: impedance 600 Ω; amplitude 2 V [p-p]	
Alarm I/O	2 / 1	
Serial Port	1 RS485	
Network	10M/100M Base-TX Ethernet	
Video Output	1 BNC, impedance 75 Ω; amplitude 1 V [p-p]	
General		
Power Supply	12 V DC, or PoE (IEEE802.3 af)	
	Power consumption: 4.5 W (with IR on: extra 4.2 W)	
Dimensions (Ø x H)	Φ149 x 105 mm (Ø5.9" x 4.1")	

Weight	0.75 kg (1.7 lb)
Working Environment	-20°C ~ +60°C (-4°F ~ 140°F), Humidity ≤ 90% RH(non-condensing)
Vandal Resistant	IK10
Ingress Protection	IP66

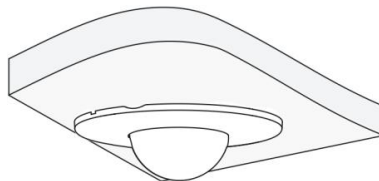
Dimensions



Installation



Ceiling mount



In-ceiling mount

Accessories

Installation mode	Accessories	Description
Ceiling mount	Mounting pedestal is included in the product package	For indoor ceiling installation
In-ceiling mount	AE-TR-FM152 bracket	For indoor in-ceiling installation
Wall mount	AE-TR-UF45+ AE-TR-WE45	/
Pendant mount	AE-TR-UF45+ AE-TR-CE45	/

Zhejiang Uniview Technologies Co., Ltd.

South Tower, Building 10, Wanlun Science Park, 88 Jiangling Road, Hangzhou, P.R.China 310051

Email: overseasbusiness@uniview.com; globalsupport@uniview.com

<http://www.uniview.com>

©2014 Zhejiang Uniview Technologies Co., Ltd. All rights reserved.

*Product specifications and availability are subject to change without notice.