

# IPC542E(-NL)-IN 2MP Low-light Network Box Camera



## Key Features

### Optics

- Day/night functionality
- Lowlight surveillance
- 3D DNR (Digital Noise Reduction)

### Compression

- H.264 High Profile
- Triple streams
- ROI (Region of Interest)
- 9:16 corridor mode
- Customized OSD

### Network

- NAA (Network Auto-Adaptability) to cope with up to 5% network packet loss
- Optional network interfaces with Ethernet RJ45 and optical SFP
- UNP(Universal Network Passport) patented technology for NAT traversal
- Dual direct-to-iSCSI data block storage
- ONVIF Conformance

### Structure

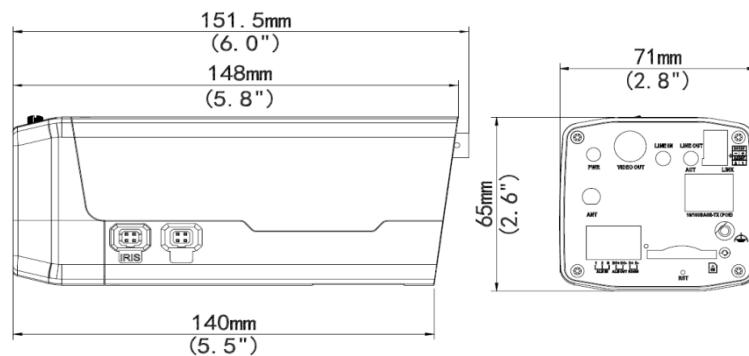
- AC 24V /DC 12 V/PoE with uninterruptible power supply
- Wide temperature range: -20°C to 60°C (-4°F to 140°F)
- Wide voltage range of  $\pm 25\%$
- 6 KV surge protection designed for network interface

## Specifications

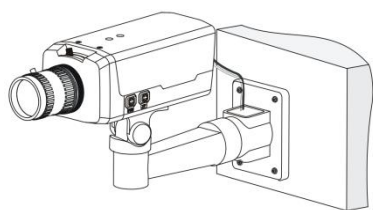
Camera	IPC542E-IN	IPC542E-NL-IN
Sensor	1/2.8", 2Megapixel, progressive scan, low illumination CMOS	
Day/Night	IR-cut filter with auto switch (ICR)	
Shutter	Auto/Manual, 1/6~1/8000 s	
Min. Illumination	Color: 0.03 Lux (F1.2, 50IRE) Black & White: 0.01 Lux (F1.2, 50IRE)	
S/N	>52dB	
Image Rotation	Support	
Lens Mount	C/CS	
DC-Iris	DC 4V (4 Pins)	
Motor Zoom/focus	DC 5V (4 Pins)	
<b>Video</b>		
Max. Resolution	1920 × 1080	
Video Compression	H.264,MJPEG	
Frame Rate	1080P (1920*1080) 30 fps; 720P (1280*720) 60 fps; D1 (720*576) 25 fps	
9:16 Corridor Mode	Support	
ROI	Support	
Video Streaming	Triple	
OSD	Up to 8 OSDs	
Privacy Mask	Up to 8 areas	
<b>Audio</b>		
Audio Compression	G.711	
Two-way Talking	Support	
<b>Storage</b>		
Edge Storage	SD, up to 32 GB	
Back-end Storage	Dual direct-to-iSCSI data block storage	
Cache Post Recording	Support	
<b>Network</b>		
Protocols	L2TP,IPv4,IGMP,ICMP,ARP,TCP,UDP,DHCP,PPPoE,RTP,RTSP,Qos,NTP,FTP,HTTP,SNMP,SIP	
Compatible Integration	ONVIF, IMOS,API	
<b>Interface</b>		
Audio I/O	3.5 mm audio interface	
	Input: impedance 35 kΩ; amplitude 2 V [p-p]	
	Output: impedance 600 Ω; amplitude 2 V [p-p]	
Alarm I/O	2 / 1	
Serial Port	1 RS485 (support Pelco-D/P)	
Network	10M/100M Base-TX Ethernet	100M Base-FX SFP +10M/100M Base-TX Ethernet
Video Output	1 BNC, impedance 75 Ω; amplitude 1 V [p-p]	
<b>General</b>		
Power	24 V AC, 12 V DC, or PoE (IEEE802.3 af)	
	Power consumption: 4.8 W (with ICR switch: extra 2W)	
Dimensions (L x W x H)	151.5 x 71 x 65 mm (6.0" x 2.8" x 2.6") (excluding the lens)	

Weight	0.48 kg (1.1 lb)
Working Environment	-20°C ~ +60°C (-4°F ~ 140°F), Humidity ≤ 90% RH(non-condensing)

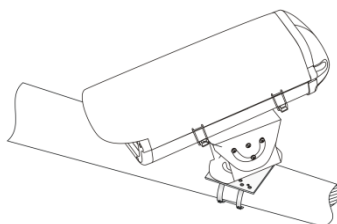
## Dimensions



## Installation



Bare mount



Housing mount

## Accessories

Installation mode	Accessories	Description
Bare mount	AE-TR-UM06 or TR-UM06-A	Indoor wall, pendant, or desktop installation
Housing mount	Indoor housing: AE-HS-108 Outdoor housing: AE-HS-215S, AE-HS-215SHB	Outdoor installation
Corridor Format mount	L-shaped mount:AE-TR-SM06	

### Zhejiang Uniview Technologies Co., Ltd.

South Tower, Building 10, Wanlun Science Park, 88 Jiangling Road, Hangzhou, P.R.China 310051

Email: [overseasbusiness@uniview.com](mailto:overseasbusiness@uniview.com); [globalsupport@uniview.com](mailto:globalsupport@uniview.com)

<http://www.uniview.com>

©2014 Zhejiang Uniview Technologies Co., Ltd. All rights reserved.

\*Product specifications and availability are subject to change without notice.