

IPC641E-X22(-NL)-IN 1.3MP 22x Standard Network PTZ Dome Camera



Key Features

Optics

- Accurate and fast focusing
- Lowlight surveillance

Compression

- H.264 High Profile
- Triple streams
- Customized OSD

Network

- Optional network interfaces with Ethernet RJ45 and optical SFP
- NAA (Network Auto-Adaptability) to cope with up to 5% network packet loss
- UNP(Universal Network Passport) patented technology for NAT traversal
- Dual direct-to-iSCSI data block storage
- ONVIF Conformance

Structure

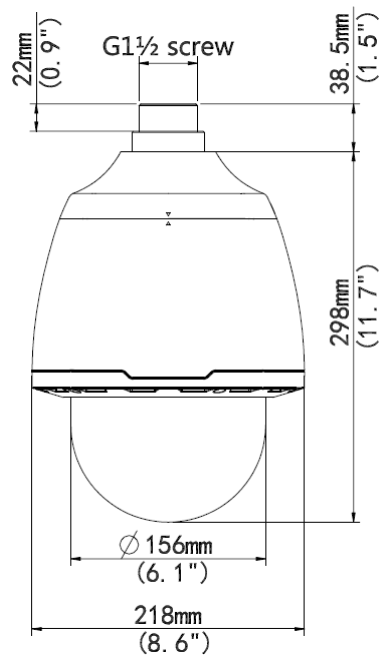
- Fast installation structure design
- Intelligent temperature control technology
- High quality sealing structure, support IP67
- 6 KV surge protection designed for network interface

Specifications

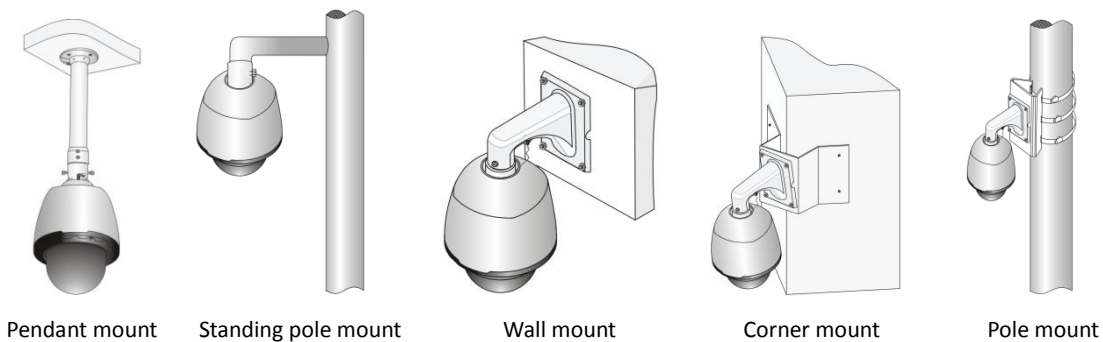
Camera	IPC641E-X22-IN	IPC641E-X22-NL-IN
Sensor	1/3", 1.3Megapixel, progressive scan, low illumination CMOS	
Lens	4.7 ~ 103 mm (22x optical zoom)	
Angle of View (H)	59.7° (wide) ~ 3.1° (tele)	
Iris	Auto/Manual; F1.6 ~ F3.2	
Shutter	Auto/Manual; shutter time: 1/6 s ~ 1/8000 s	
Min. Illumination	Color: 0.03 lux (F1.6, 50IRE) B/W: 0.01 lux (F1.6, 50IRE)	
S/N	>50dB	
Day/Night	IR-cut filter with auto switch (ICR)	
Video		
Max. Resolution	1280 × 960	
Video Compression	H.264,MJPEG	
Frame Rate	960P (1280*960) 30 fps; 720P (1280*720) 30 fps; D1 (720*576) 25 fps	
Video Streaming	Triple	
OSD	Up to 8 OSDs	
Privacy Mask	Up to 8 areas	
Digital Zoom	Support	
Audio		
Audio Compression	G.711	
Two-way Talking	Support	
Storage		
Edge Storage	SD, up to 32 GB	
Back-end Storage	Dual Direct-to-iSCSI data block storage	
Cache Post Recording	Support	
Network		
Protocols	L2TP,IPv4,IGMP,ICMP,ARP,TCP,UDP,DHCP,PPPoE,RTP,RTSP,Qos,NTP,FTP,HTTP,SNMP,SIP	
Compatible Integration	ONVIF, IMOS,API	
Pan & Tilt		
Pan Range	360° (endless)	
Pan Speed	0.1°/s ~ 400°/s	
	Preset speed: 540°/s	
Tilt Range	-1° ~ +90° (auto reverse)	
Tilt Speed	0.1° ~ 240°/s	
	Preset speed: 400°/s	
Number of Preset	255	
Patrol	Up to 16 patrols, up to 32 presets per patrol Note: The total number of patrols and patterns is 16.	
Pattern	Up to 16 patterns, with the total recording time not less 15 minutes	
Interface		
Audio I/O	3.5 mm audio interface	
	Input: impedance 35 kΩ; amplitude 2 V [p-p]	

	Output: impedance 600 Ω; amplitude 2 V [p-p]	
Alarm I/O	2 / 1	
Serial Port	1 RS485	
Network	10M/100M Base-TX Ethernet	100M/1000M Base-FX SFP (single-mode, FC) +10M/100M/1000M Base-TX Ethernet
Video Output	1 BNC, impedance 75 Ω; amplitude 1 V [p-p]	
General		
Power Supply	24 V AC	
	Power consumption: 9 ~ 33 W (heater: Max. 20 W)	
Dimensions (∅ x H)	∅218 x 298 mm (∅8.6" x 11.7")	
Weight	4.2 kg (9.3 lb)	
Working Environment	-40°C ~ +70°C (-40°F ~ 158°F), Humidity ≤ 90% RH(non-condensing)	
Ingress Protection	IP67	

Dimensions



Installation



Accessories

Installation mode	Accessories	Description
Pendant mount	AE-TR-CE45 bracket	/
	Pendant components: AE-TR-UF45-A indoor ceiling plate AE-TR-UF45-B outdoor ceiling plate AE-TR-SE45 pendant rod (200mm) AE-TR-SE45-A pendant rod (500mm)	Ceiling plate is optional with different pendant rod for various applications
Standing pole mount	Customized bracket	The interface is designed with internal G1½ screws. The screw depth must be more than 23 mm.
Wall mount	AE-TR-WE45 bracket	/
Corner mount	AE-TR-WE45 bracket + AE-TR-UC08-A bracket	/
Pole mount	AE-TR-WE45 bracket + AE-TR-UP08-A bracket	/

Zhejiang Uniview Technologies Co., Ltd.

South Tower, Building 10, Wanlun Science Park, 88 Jiangling Road, Hangzhou, P.R.China 310051

Email: overseasbusiness@uniview.com; globalsupport@uniview.com

<http://www.uniview.com>

©2014 Zhejiang Uniview Technologies Co., Ltd. All rights reserved.

*Product specifications and availability are subject to change without notice.